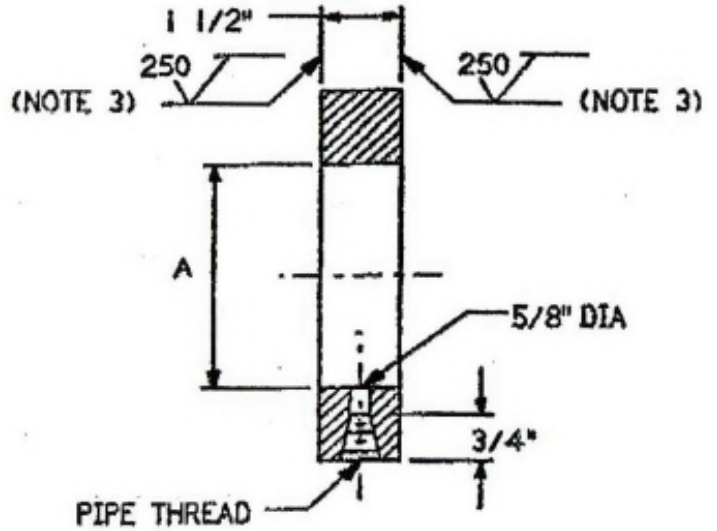
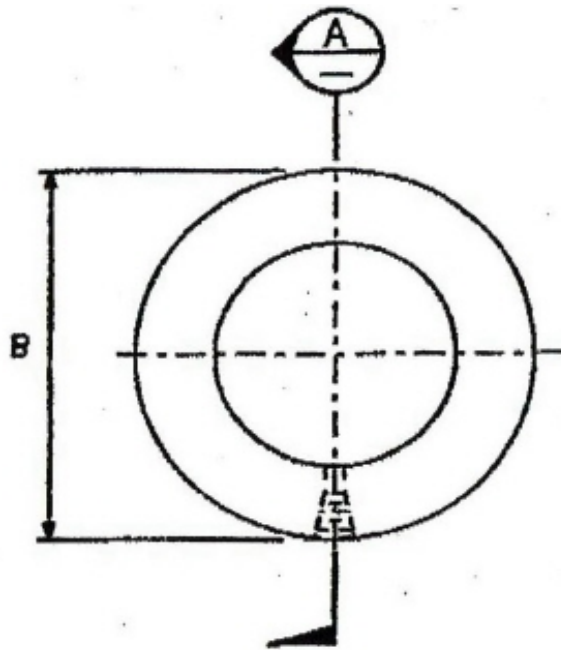


TS Strainers & Filters

Bleed Rings

Phone: 281-304-0080

Fax: 281-966-1565



PIPE SIZE	A	B		
		150 LB	300 LB	600 LB
1	1	2 3/8	2 3/4	2 3/4
1 1/2	1 1/2	3 1/4	3 5/8	3 5/8
2	2	4	4 1/4	4 1/4
3	3	5 1/4	5 3/4	5 3/4
4	4	6 3/4	7	7 1/2
6	6	8 5/8	9 3/4	10 3/8
8	8	10 7/8	12	12 1/2
10	10	13 1/4	14 1/8	15 5/8
12	12	16	16 1/2	17 7/8
14	13 1/4	17 3/8	18 3/4	19 1/4
16	15 1/4	19 7/8	20 7/8	22 1/8
18	17 1/4	21 1/4	23 1/8	24
20	19 1/4	23 1/2	25 3/8	26 3/4

NOTES:

- DIMENSIONS ARE IN INCHES.
- MATERIAL SHOULD CONFORM WITH PIPING MATERIAL CLASS.
- MACHINE FINISH TO 250 AARH.