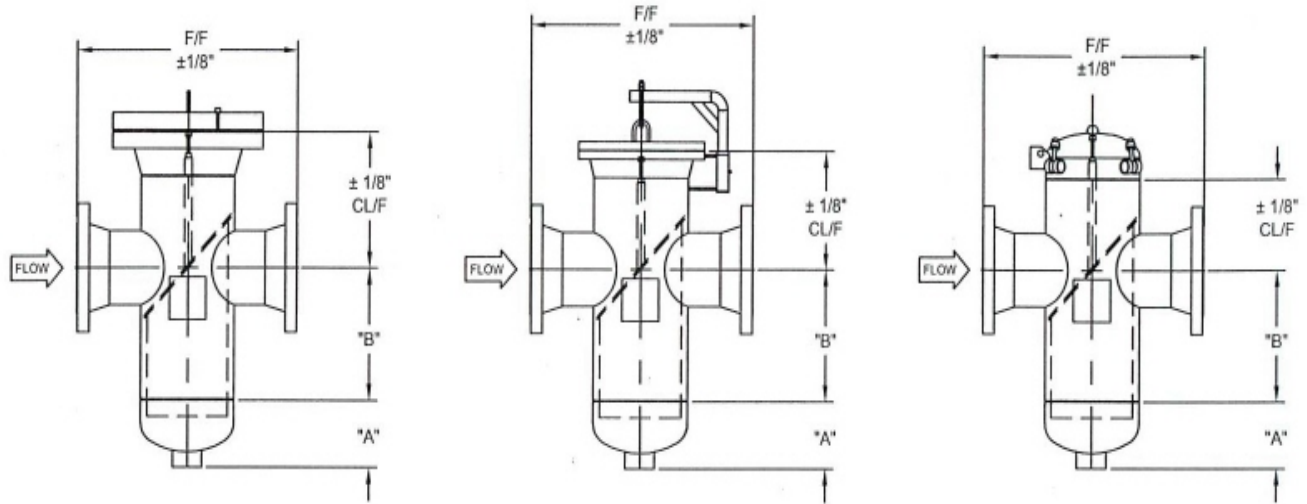


**TS Strainers & Filters**  
**Fabricated Inline Strainers**  
**Phone: 281-304-0080 Fax: 281-966-1565**



**TYPE: VIS-F**

**TYPE: VIS-D**

**TYPE: VIS-Q**

Design Codes Available:

ASME B31.1 without PP stamp, ASME B31.3, ASME B31.4, ASME B31.8,  
 ASME SECTION VIII, DIV. 1 with or without "U" stamp

Optional Items Available:

support legs (fixed or adjustable), lifting davit for cover, external and/or internal coatings,  
 and angle flow (in the side out the bottom).

SIZE	"A"	"B"	Drain	150#RF F/F	150#RF CL/F	300#RF F/F	300#RF CL/F	600#RF F/F	600#RF CL/F
2 on 4	3.5"	6"	1"	18"	6.5"	18"	7"	20"	8"
3 on 6	4.5"	8"	1"	20"	8"	20"	8.5"	22"	10"
4 on 8	5.5"	10"	1.5"	26"	10"	26"	10"	26"	12"
6 on 10	6.5"	15"	1.5"	28"	11"	28"	11"	30"	14"
8 on 12	7.5"	20"	1.5"	30"	12.5"	30"	12.5"	32"	15"
10 on 16	7.75"	22"	1.5"	32"	15"	32"	15"	34"	17"
12 on 18	8"	26"	2"	34"	16"	34"	16"	38"	18"
14 on 20	8.5"	28"	2"	40"	17.5"	40"	17.5"	42"	20"
16 on 24	9.5"	30"	2"	44"	20"	44"	20"	48"	22"
18 on 24	9.5"	36"	2"	44"	20"	44"	20"	48"	22"
20 on 24	9.5"	40"	2"	44"	20"	44"	20"	48"	22"
24 on 30	11"	49"	2"	50"	25"	50"	25"	54"	27"
30 on 36	12.75"	62"	3"	60"	29"	60"	29"	64"	31"
36 on 42	14.5"	75"	3"	72"	31"	72"	31"	74"	34"

**Note:** F/F dimension can be reduced with the use of RFSO flanges. All dimension subject to change upon final design. We specialize in custom designs to fit customer needs.